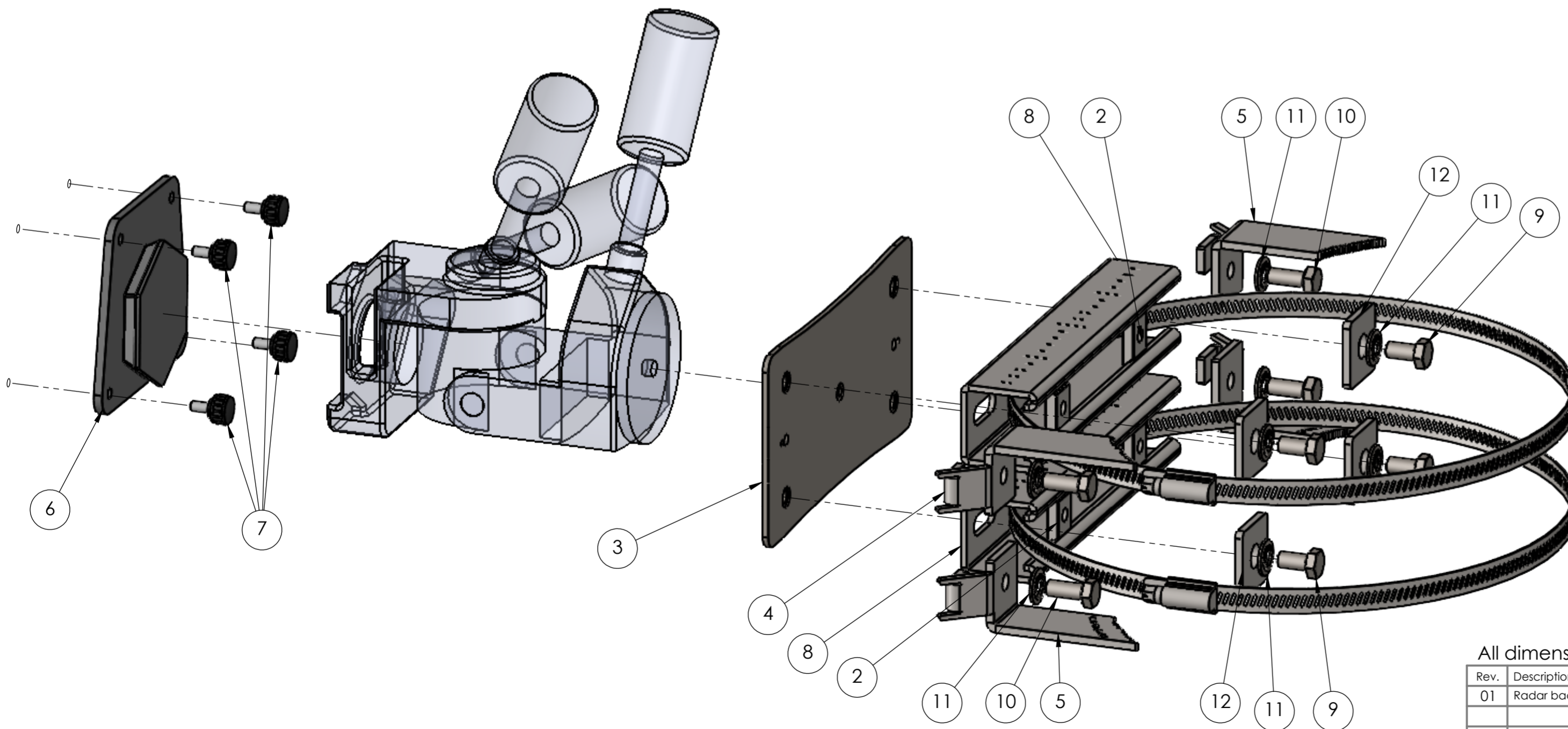
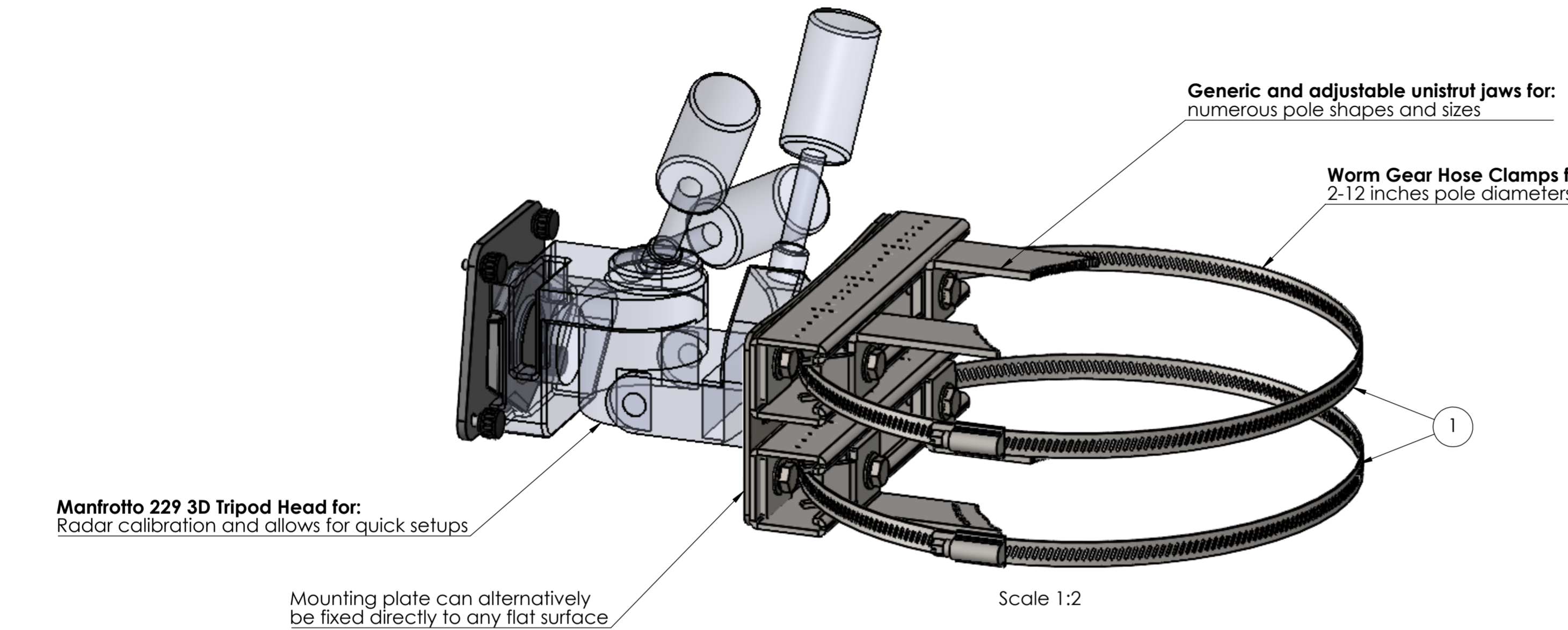


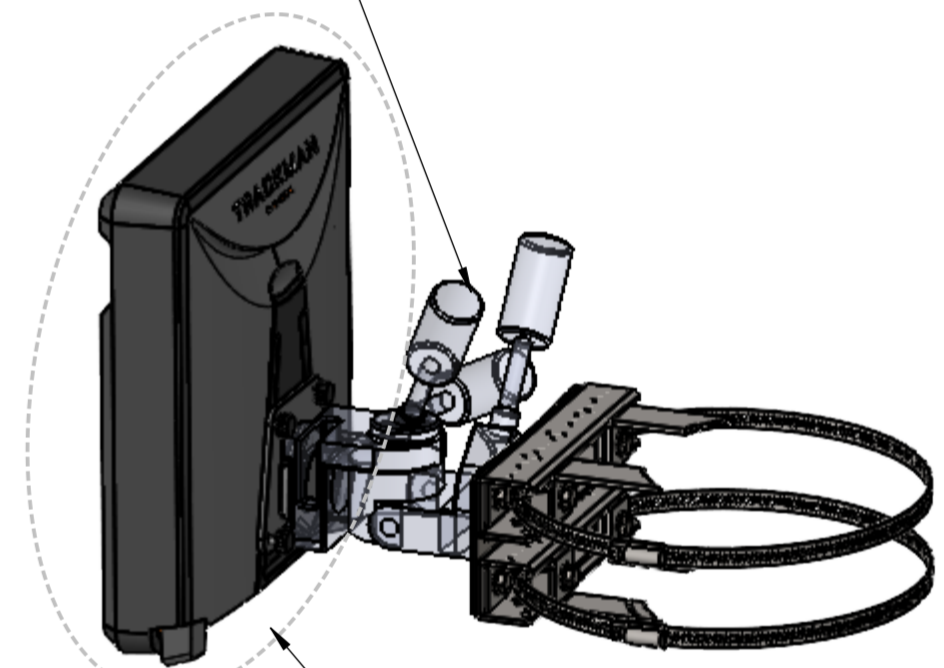
# Mounting System for B1 - Wall and Pole

## MU116-011



ITEM NO.	PART NUMBER	DESCRIPTION	QTY.
1	MD011-032	Quick Release Strap, ID: 50-455mm	2
2	MD011-041	Unistrut Channel Nut, M8 41x41	4
3	MD021-020	Mounting plate for Manfrotto Tripod Head	1
4	MD021-055	Unistrut Jaw Washer, Right	2
5	MD021-056	Unistrut Jaw Washer, Left	2
6	MD027-039	Hexagonal Release Plate Interface	1
7	MD016033	M5 x 10 Knurled Grib Knobs	4
8	MG21-0007	Unistrut Rail	2
9	MS118916	M8 x 16 Hex A2	4
10	MS118921	M8 x 20 Hex A2	4
11	MW1180-03	M8 Lock Washer	8
12	MW119013	35x35x4, M12 spec. Washer	4

Manfrotto 229 3D Tripod Head  
(not included in this assembly)



Scale 1:5

Trackman Radar (B1)  
(not included in this assembly)

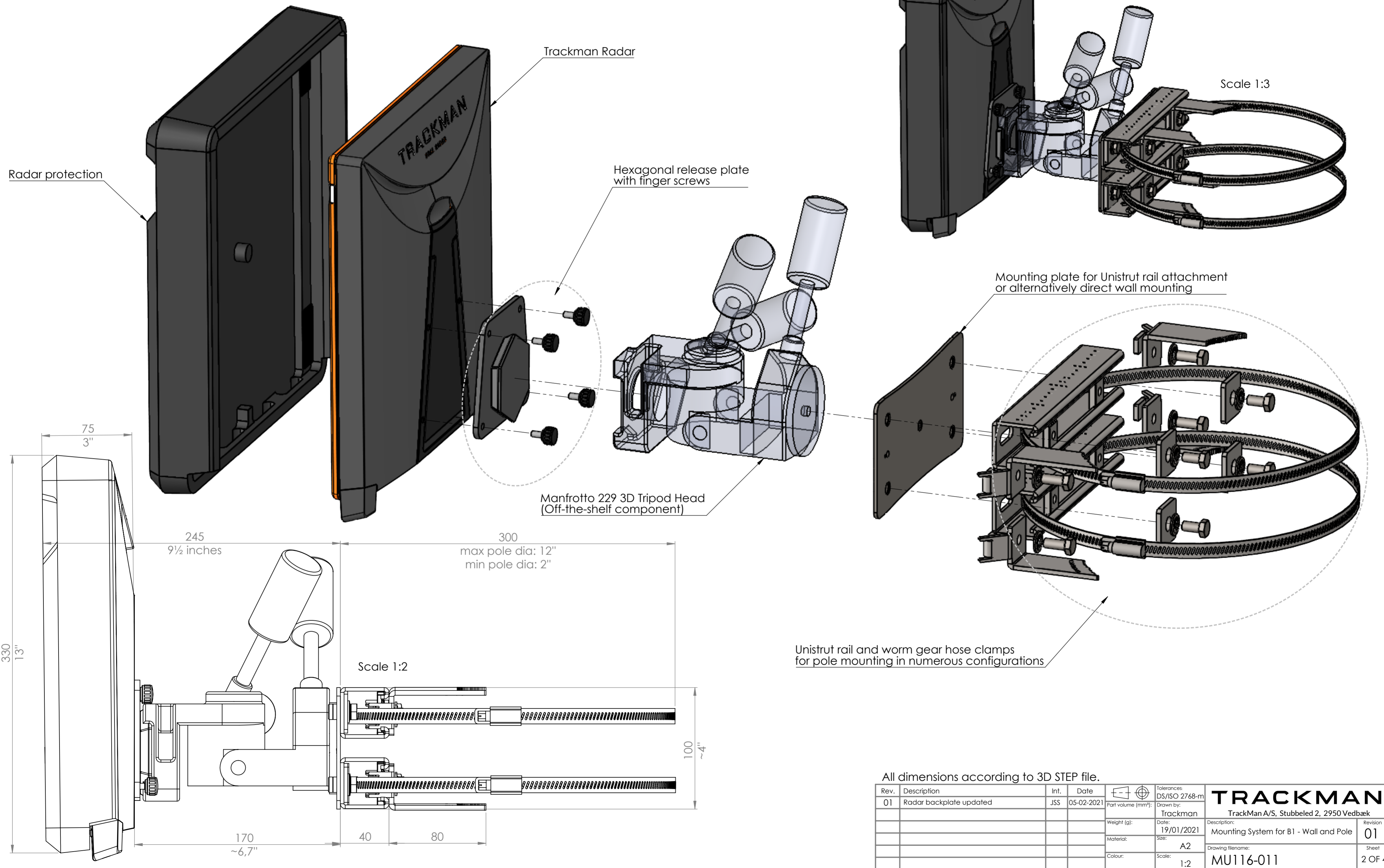
QR code for digital drawing



All dimensions according to 3D STEP file.

Rev.	Description	Int.	Date	Tolerances:	Part volume (mm³):	Drawn by:	Weight (g):	Date:	Description:	Revision
01	Radar backplate updated	JSS	05-02-2021	DS/ISO 2768-m		Trackman		19/01/2021	TrackMan A/S, Stubbeled 2, 2950 Vedbæk	01
									Mounting System for B1 - Wall and Pole	Sheet
									MU116-011	1 OF 4

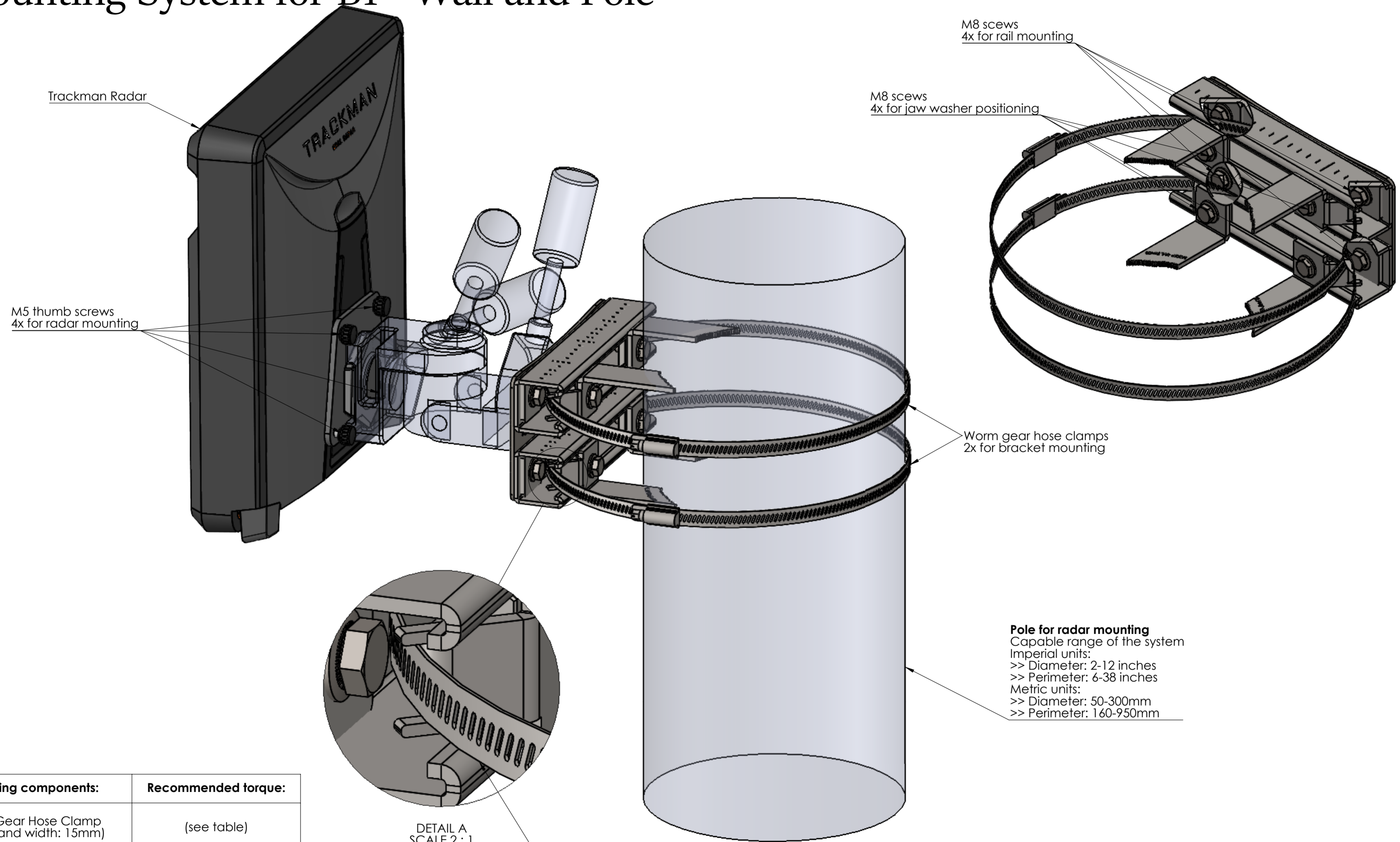
# Radar architecture overview: Mounting System for B1 - Wall and Pole



All dimensions according to 3D STEP file.

Rev.	Description	Int.	Date	Tolerances: DS/ISO 2768-m		<b>TRACKMAN</b>	
01	Radar backplate updated	JSS	05-02-2021	Part volume (mm <sup>3</sup> ):	Trackman	TrackMan A/S, Stubbeled 2, 2950 Vedbæk	
				Weight (g):	Date: 19/01/2021	Description:	Revision
				Material:	Size: A2	Mounting System for B1 - Wall and Pole	01
				Colour:	Scale: 1:2	Drawing filename:	Sheet
						MU116-011	2 OF 4

# Pole mount instruction for: Mounting System for B1 - Wall and Pole



M8 screws  
4x for rail mounting

M8 screws  
4x for jaw washer positioning

M5 thumb screws  
4x for radar mounting

Worm gear hose clamps  
2x for bracket mounting

**Pole for radar mounting**  
Capable range of the system  
Imperial units:  
>> Diameter: 2-12 inches  
>> Perimeter: 6-38 inches  
Metric units:  
>> Diameter: 50-300mm  
>> Perimeter: 160-950mm

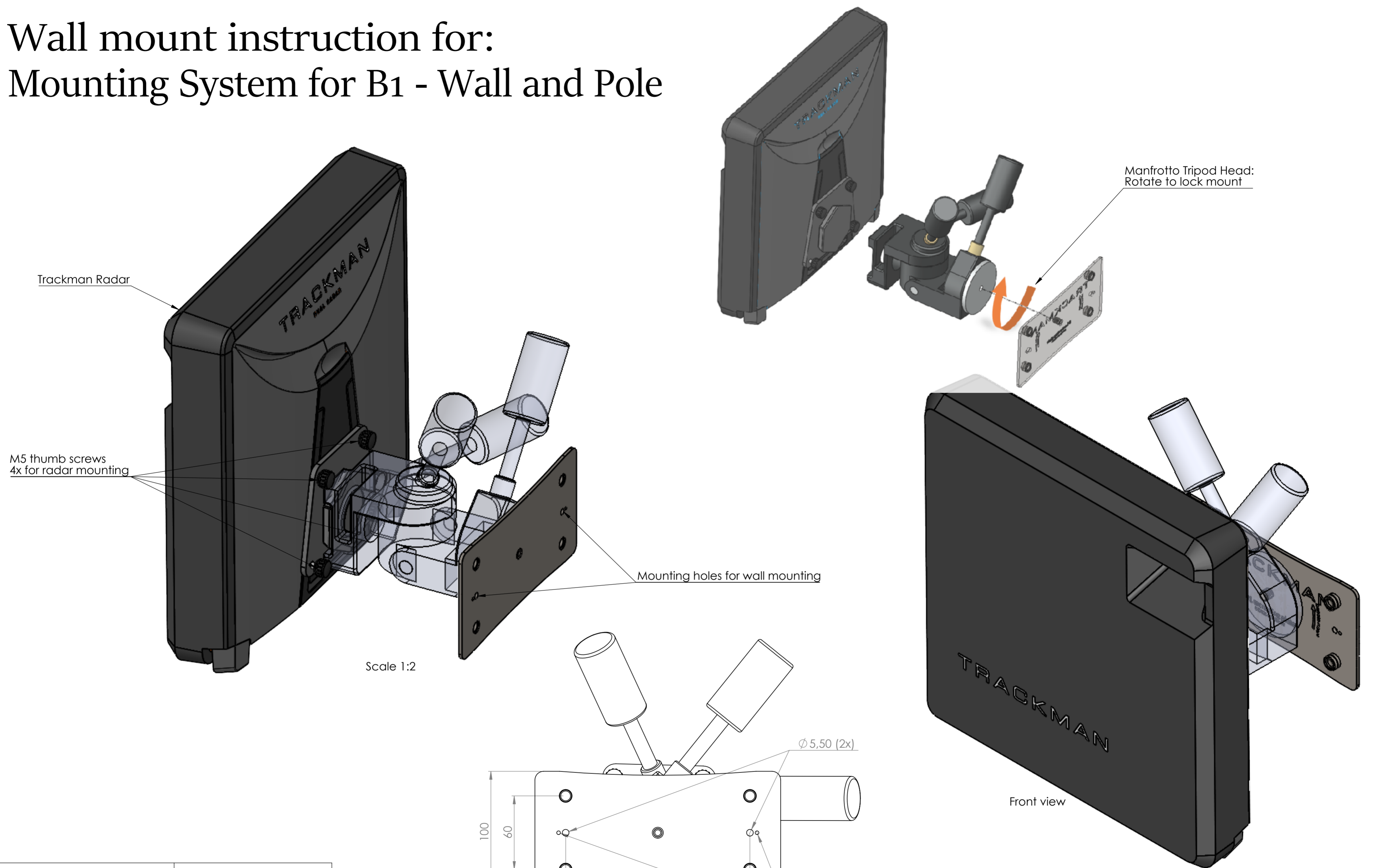
DETAIL A  
SCALE 2 : 1

Make sure to properly thread the hose clamp and that all the bands runs smoothly around sharp corners (Max band width 15mm)

Mounting components:	Recommended torque:
Worm Gear Hose Clamp (max band width: 15mm)	(see table)
M5 thumb screws (4x in this assembly)	(see table)
M8 screws (8x in this assembly)	(see table)

Rev.	Description	Int.	Date	Tolerances: DS/ISO 2768-m		<b>TRACKMAN</b>	
01	Radar backplate updated	JSS	05-02-2021	Part volume (mm³):	Drawn by:	TrackMan A/S, Stubbeled 2, 2950 Vedbæk	
				Weight (g):	Date:	Description:	Revision
				Material:	19/01/2021	Mounting System for B1 - Wall and Pole	01
				Colour:	Size:	Drawing filename:	Sheet
					A2	MU116-011	3 OF 4
					Scale:		
					1:2		

# Wall mount instruction for: Mounting System for B1 - Wall and Pole



Mounting components:	Recommended torque:
M5 thumb screws (4x in this assembly)	(see table)
Mounting plate screws (not included in this assembly)	(see table)

Rev.	Description	Int.	Date	Tolerances: DS/ISO 2768-m	Part volume (mm³):	Drawn by:	Weight (g):	Date:	Description:	Revision
01	Radar backplate updated	JSS	05-02-2021			Trackman		19/01/2021	TrackMan A/S, Stubbeled 2, 2950 Vedbæk	01
									Mounting System for B1 - Wall and Pole	
									Drawing filename:	Sheet
									MU116-011	4 OF 4